

Created by **Solutions**

Denomination

DIMENSIONAL DRAWING K44 TC

Lang **EN**

Sheet **1/2**

Modif.by

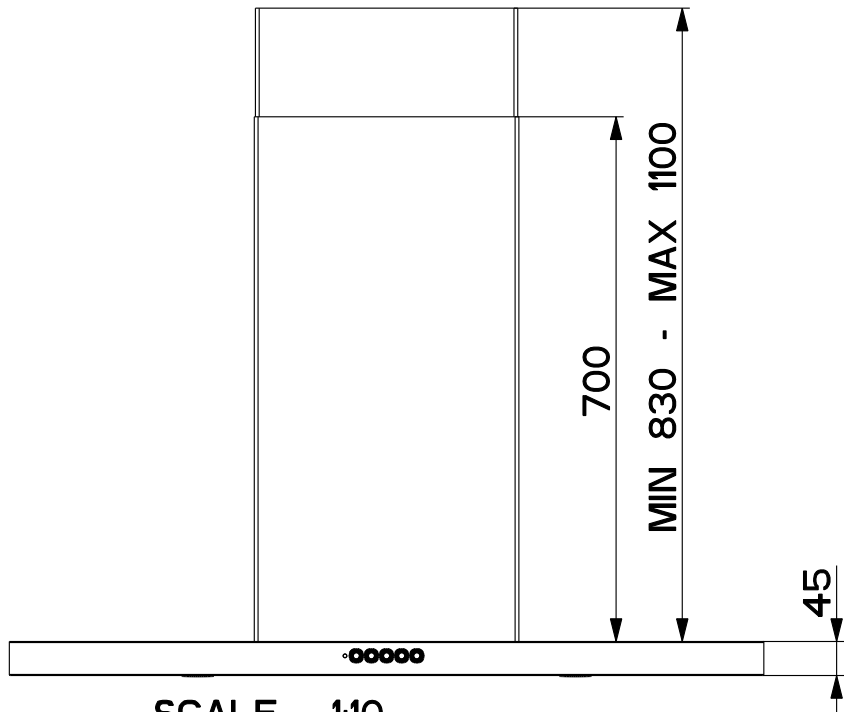
Approved by **Palazzi, Walter**

Approval date **05-Apr-2017**

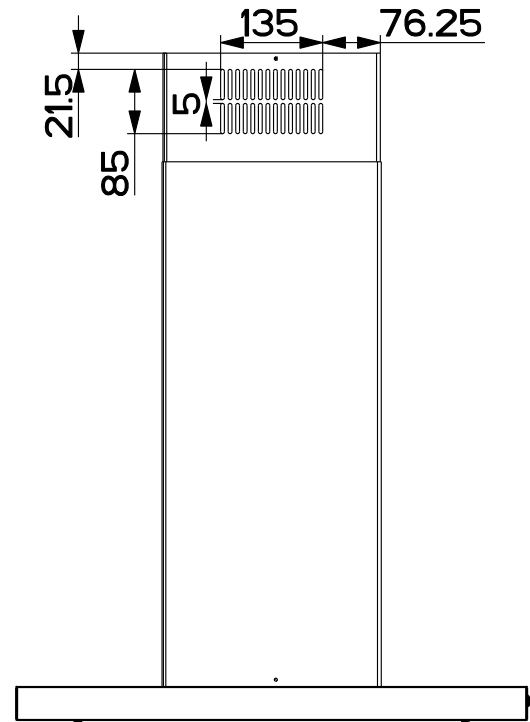
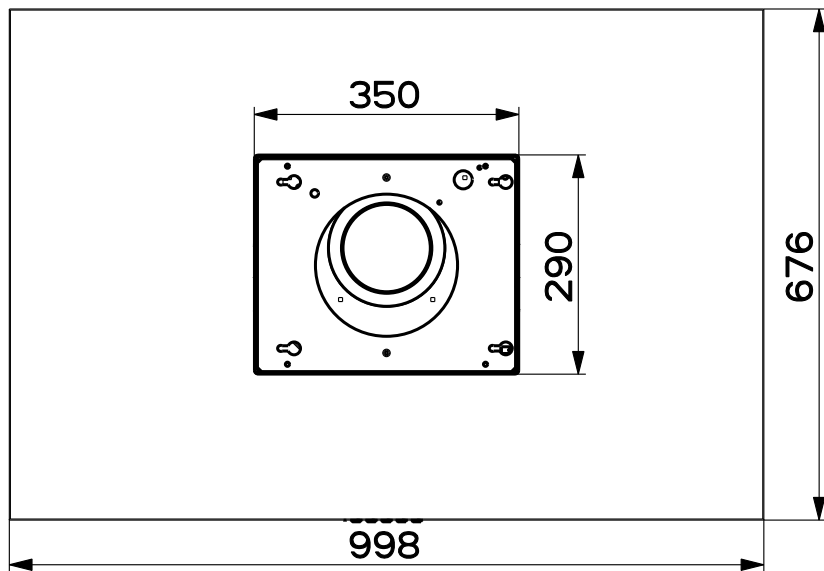
Doc. status **Released**



Drawing N.
SD2_863

Rev
01



SCALE 1:10



Created by Solutions	
Denomination DIMENSIONAL DRAWING K44 TC	
Lang EN  	Sheet 2/2
Modif.by	
Approved by Palazzi, Walter	
Approval date 05-Apr-2017	
Doc. status Released	
Drawing N. SD2_863	Rev 01