
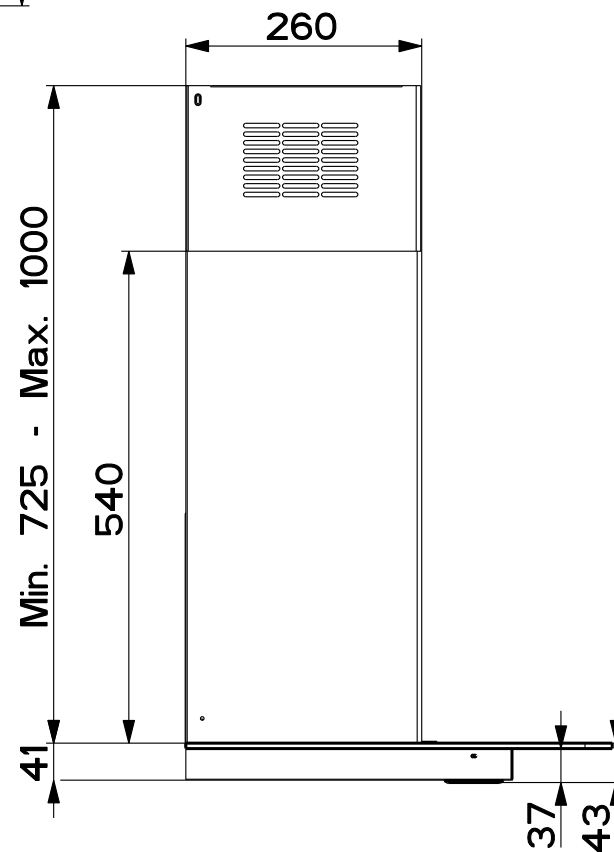
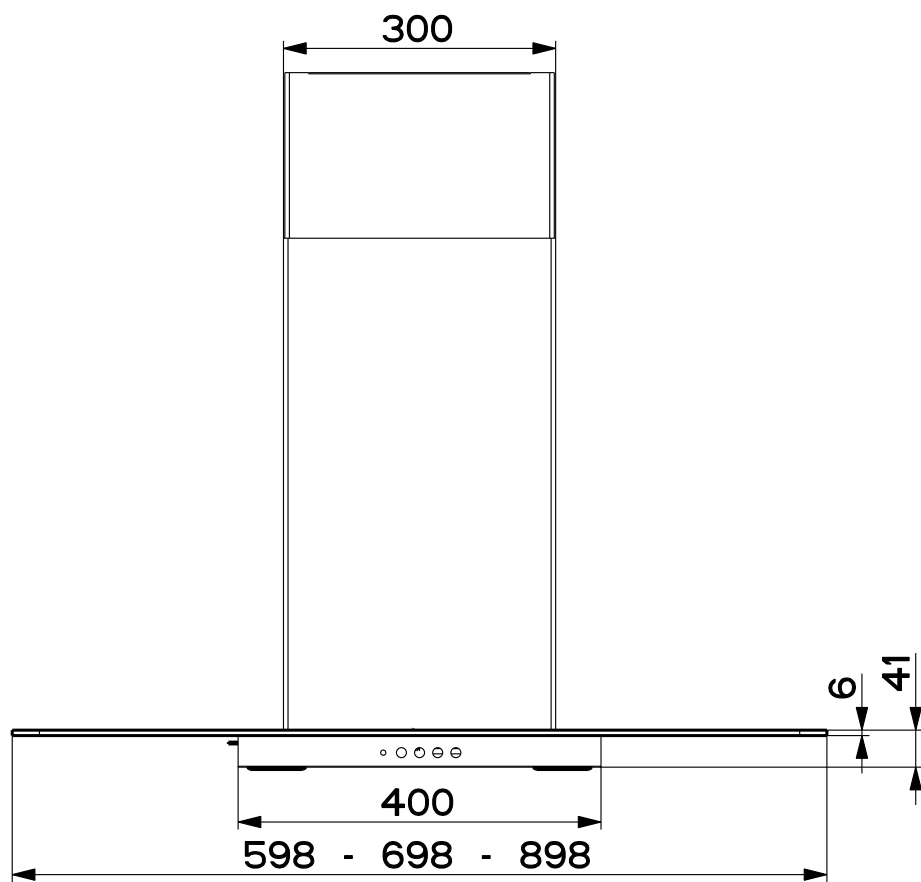
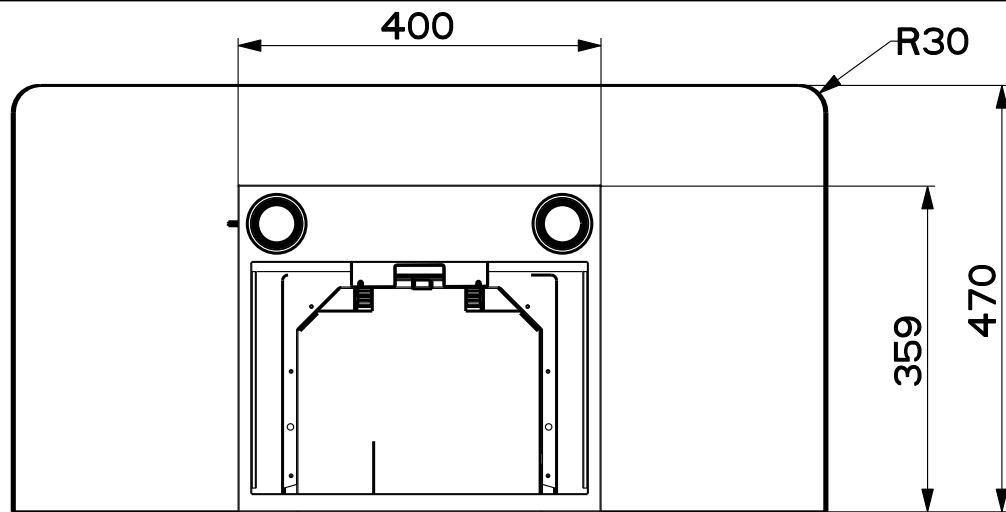



Created by tcimport	
Denomination COOKER HOOD ASSEMBLY	
Lang EN 	Sheet 1/2
Modif.by Latini, Francesco	
Approved by Bellucci, Daniele	
Approval date 11-Apr-2017	
Doc. status Released	
Drawing N. AP9_806	Rev 01



Created by tcimport	
Denomination COOKER HOOD ASSEMBLY	
Lang EN 	Sheet 2/2
Modif.by Latini, Francesco	
Approved by Bellucci, Daniele	
Approval date 11-Apr-2017	
Doc. status Released	
Drawing N. AP9_806	Rev 01