

Created by **Bellucci, Daniele**

Denomination
DIM. DRAW. FLAT CEILING 90X50 EMC FACELIFT

Lang **EN**  Sheet **1/2**

Modif.by **Bellucci, Daniele**

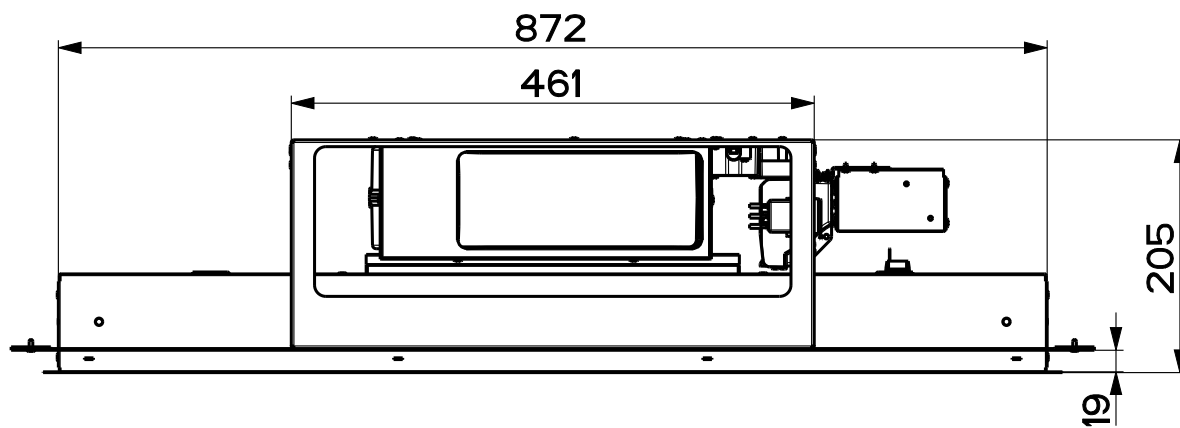
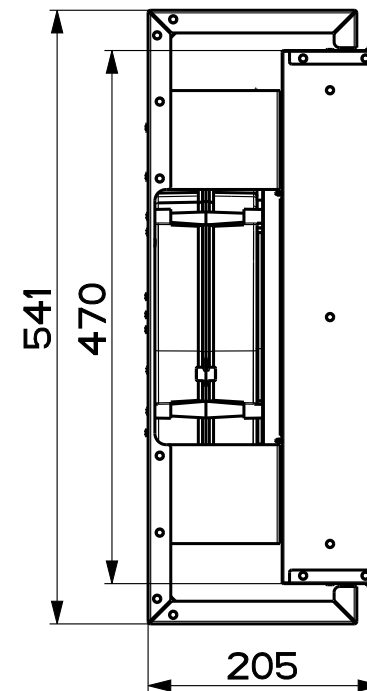
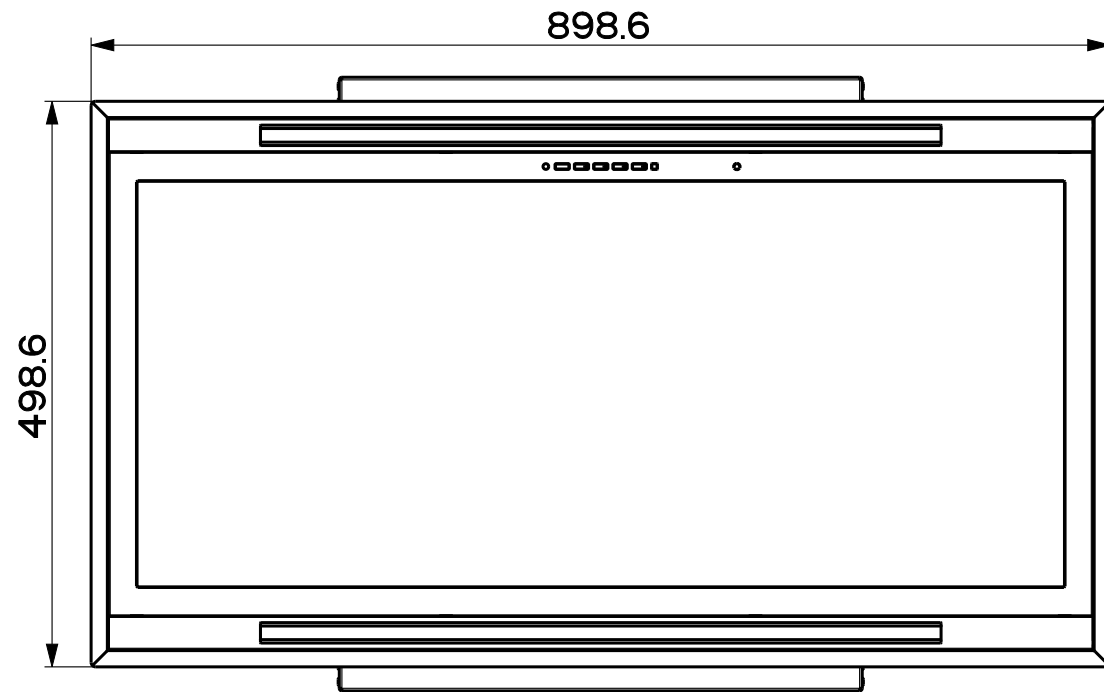
Approved by **Bellucci, Daniele**


Approval date **09-Feb-2022**

Doc. status **Released**

Drawing N.
59A_1062

Rev
01



Created by Bellucci, Daniele	
Denomination DIM. DRAW. FLAT CEILING 90X50 EMC FACELIFT	
Lang EN 	Sheet 2/2
Modif.by Bellucci, Daniele	
Approved by Bellucci, Daniele	
Approval date 09-Feb-2022	
Doc. status Released	
Drawing N. 59A_1062	Rev 01