

Created by **Latini, Francesco**

Denomination  
**GENERAL ASSEMBLY MICRO LED**

Lang **EN**  Sheet **1/2**

Modif.by **Latini, Francesco**

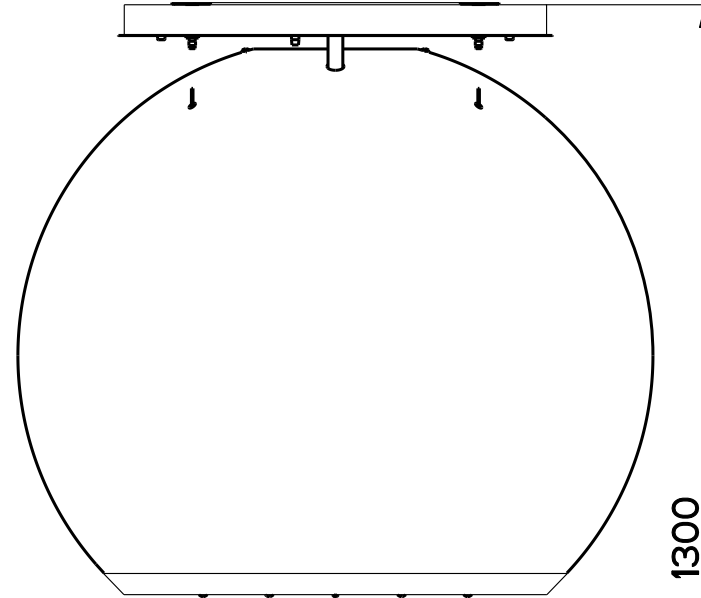
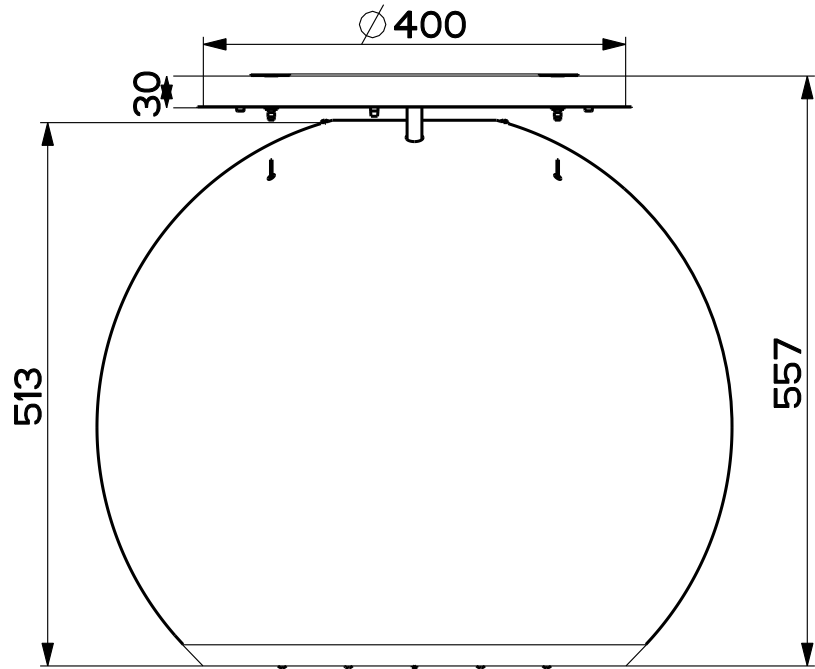
Approved by **Palazzi, Walter**

Approval date **06-Feb-2017**

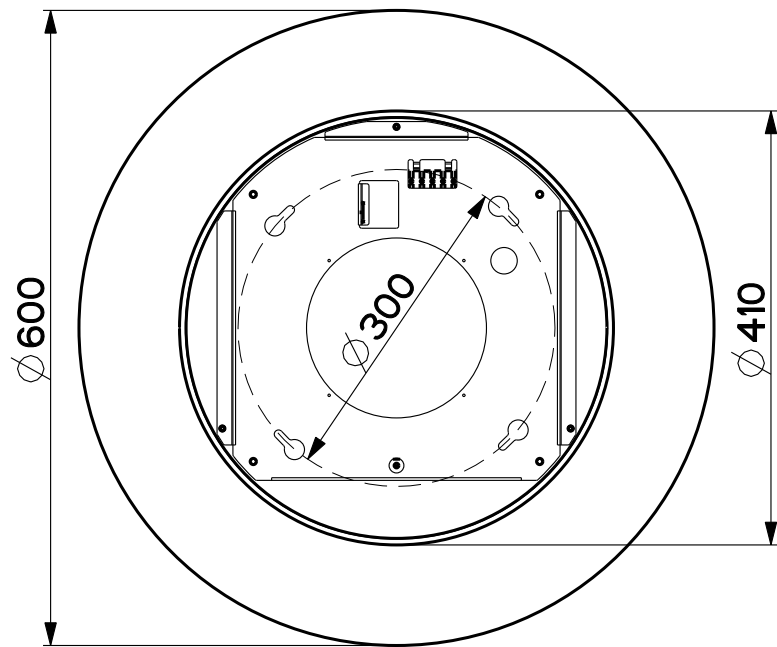
Doc. status **Released**

Drawing N.  
**36A\_732**

Rev  
**01**



MAX 1300



Created by **Latini, Francesco**

Denomination  
**GENERAL ASSEMBLY MICRO LED**

Lang **EN** Sheet **2/2**

Modif.by **Latini, Francesco**

Approved by **Palazzi, Walter**

Approval date **06-Feb-2017**

Doc. status **Released**

Drawing N.  
**36A\_732**

Rev  
**01**