
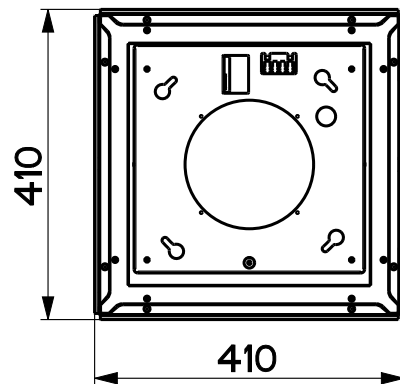
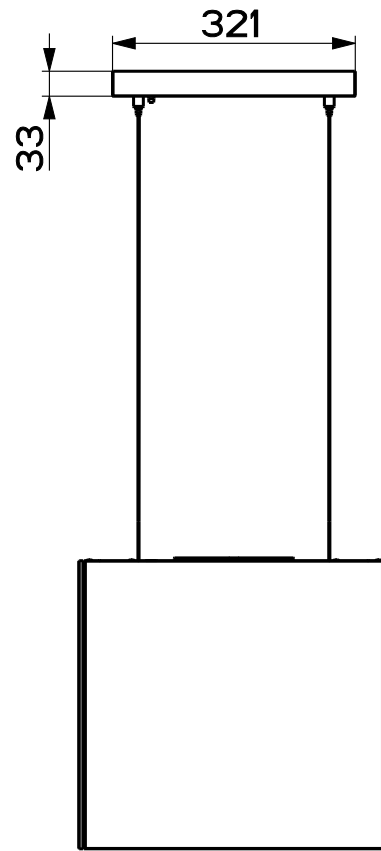
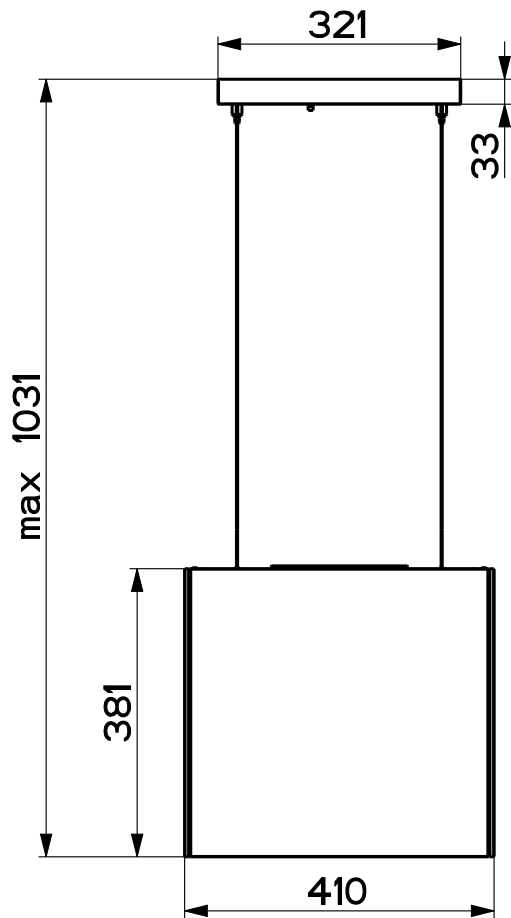



Created by -	
Denomination	
DIMENSIONAL DRAWING 35A FENIX	
Lang EN 	Sheet 1/2
Modif.by	
Approved by Bellucci, Daniele	
Approval date 22-Jan-2020	
Doc. status Released	
Drawing N. 35A_756	Rev 01



Created by -	
Denomination	
DIMENSIONAL DRAWING 35A FENIX	
Lang EN 	Sheet 2/2
Modif.by	
Approved by Bellucci, Daniele	
Approval date 22-Jan-2020	
Doc. status Released	
Drawing N. 35A_756	Rev 01