
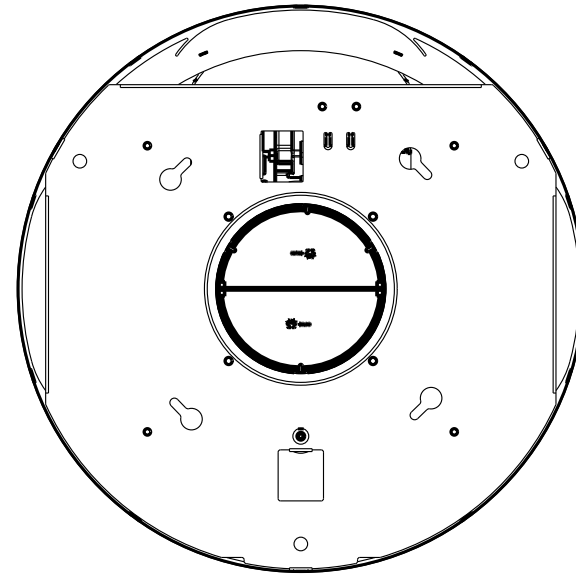
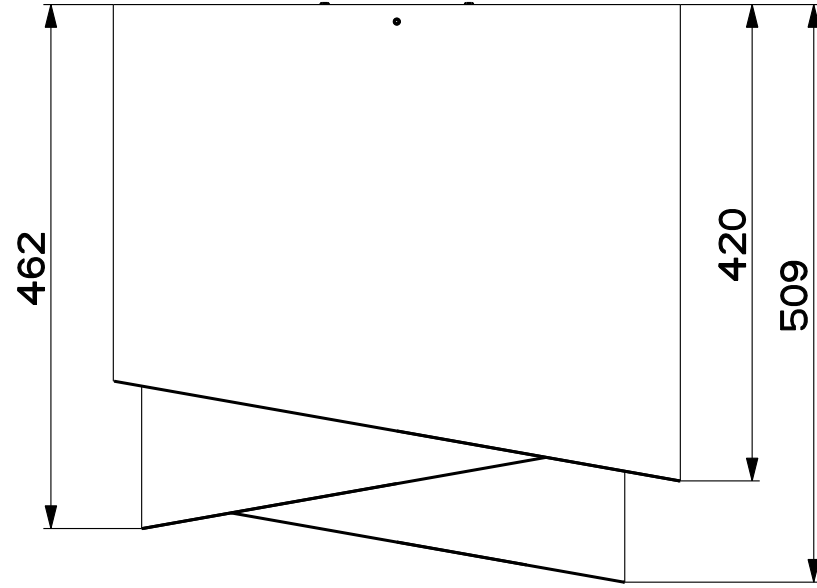
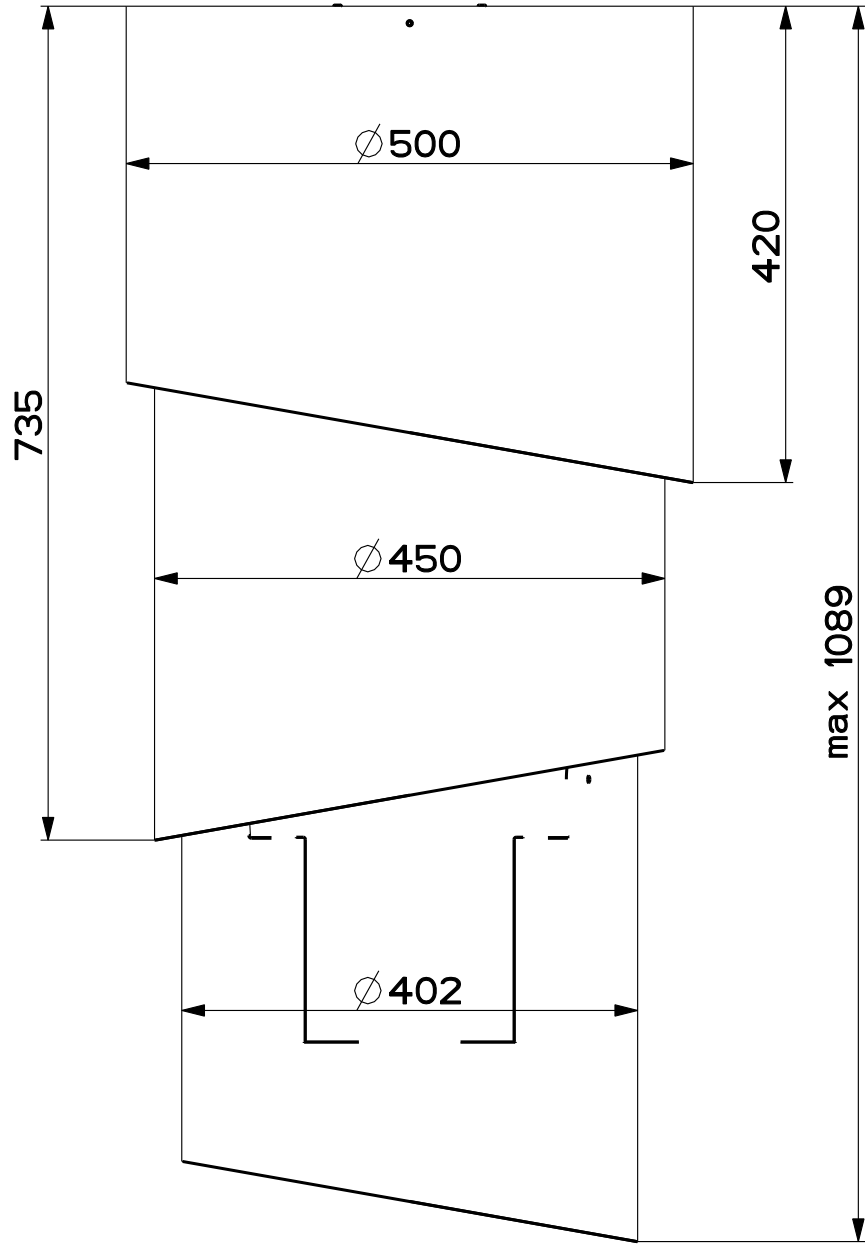


Created by	
Denomination <b>DIMENSIONAL DRAWING</b>	
Lang <b>EN</b> 	Sheet <b>1/2</b>
Modif.by <b>Galassi, Raffaele</b>	
Approved by <b>Bellucci, Daniele</b>	
Approval date <b>18-Mar-2016</b>	
Doc. status <b>Released</b>	
Drawing N. <b>34A_717</b>	Rev <b>02</b>



Created by	
Denomination <b>DIMENSIONAL DRAWING</b>	
Lang <b>EN</b>	Sheet <b>2/2</b>
Modif.by <b>Galassi, Raffaele</b>	
Approved by <b>Bellucci, Daniele</b>	
Approval date <b>18-Mar-2016</b>	
Doc. status <b>Released</b>	
Drawing N. <b>34A_717</b>	Rev <b>02</b>