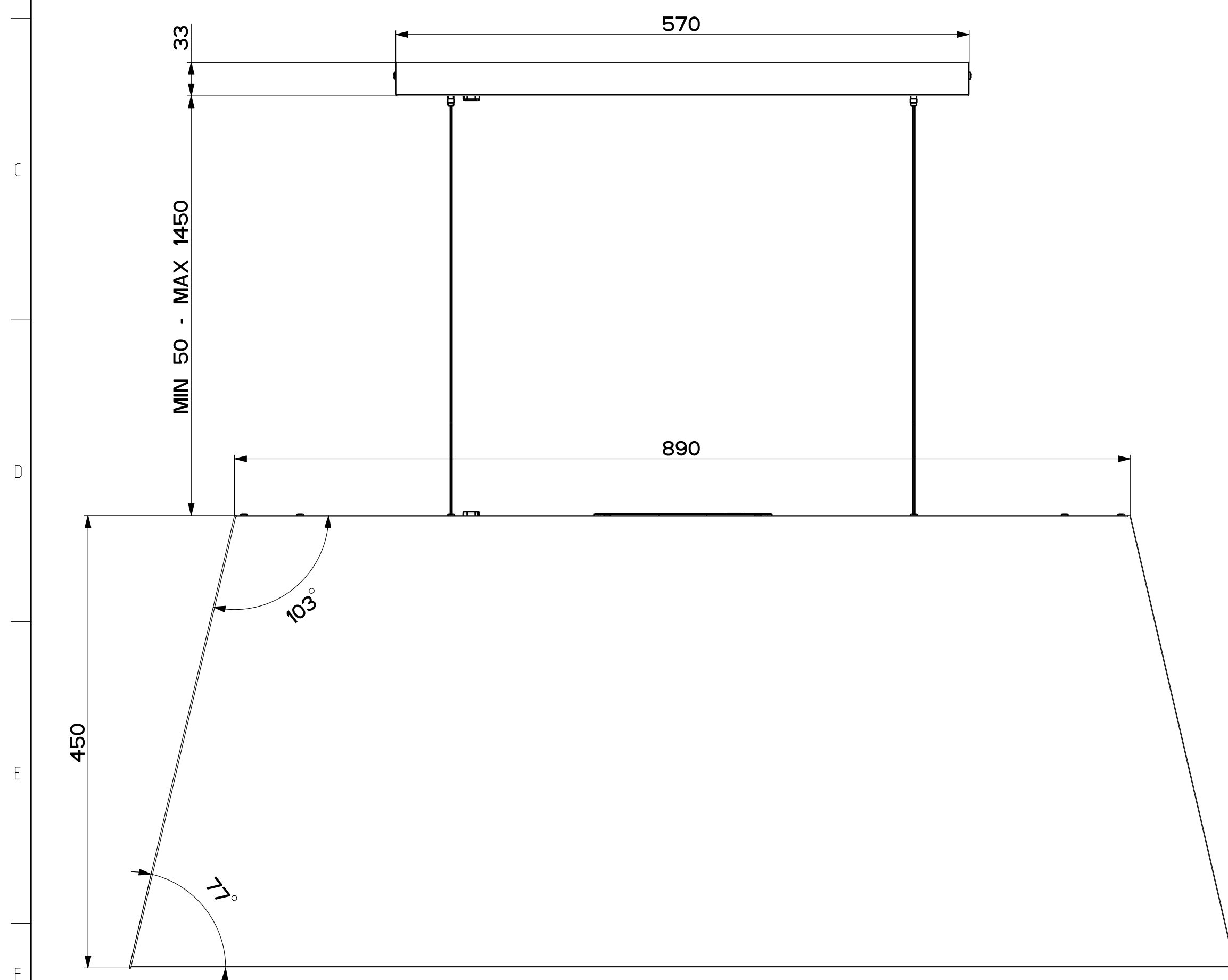
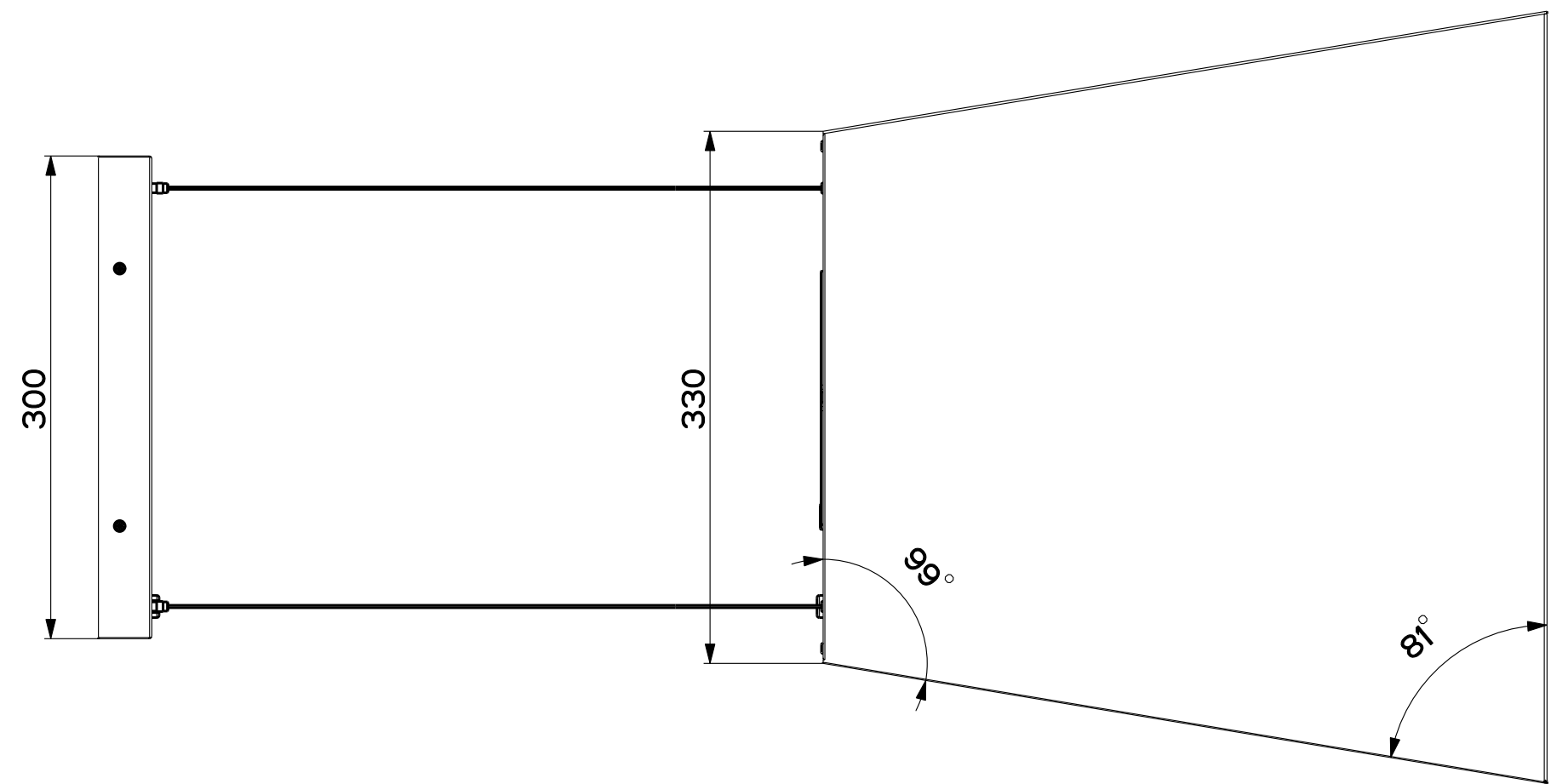
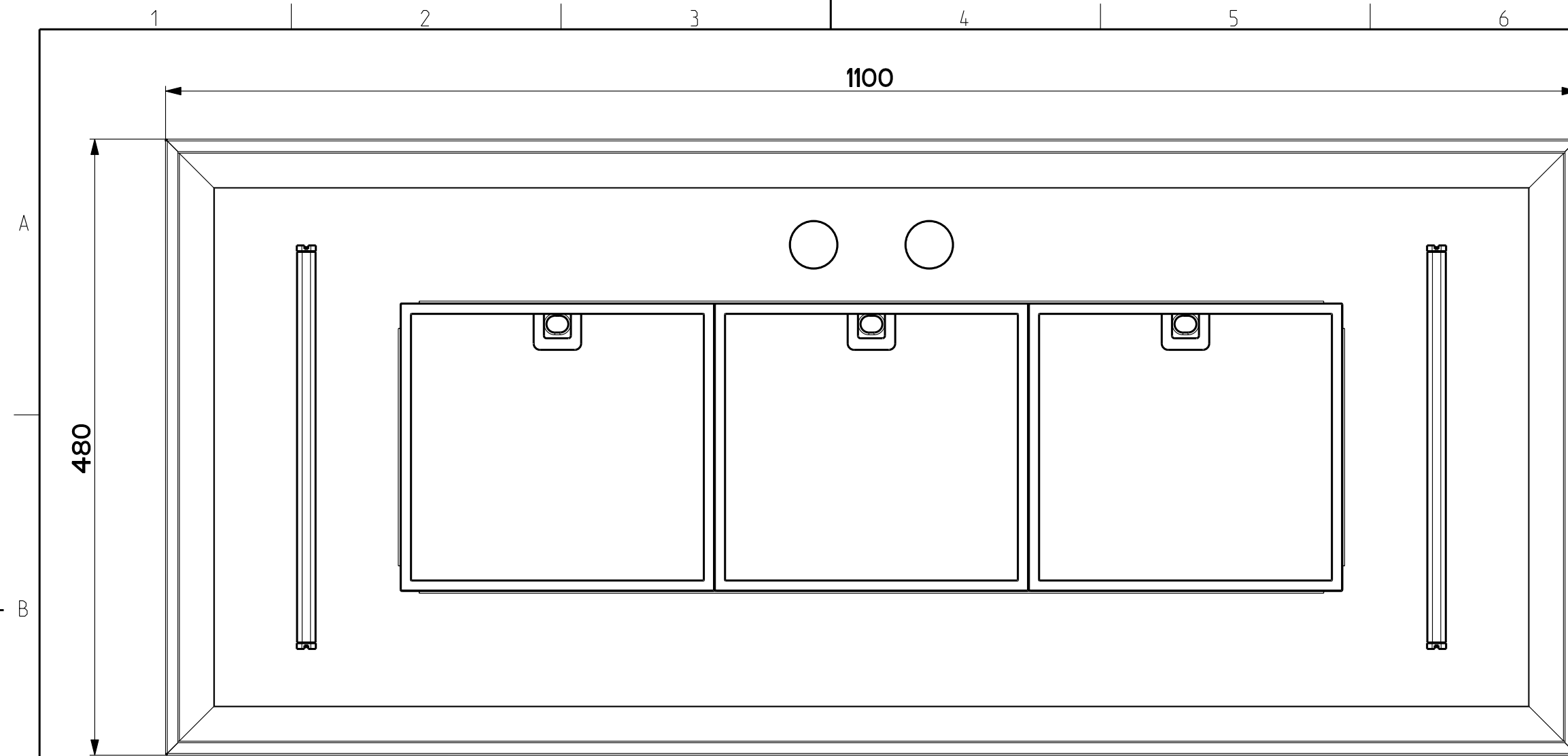


TOLERANCE CLASSES ISO 2768-1	GENERAL TOLERANCE LINEAR DIMENSION						
	0.5-3	3-6	6-30	30-120	120-400	400-1000	1000-2000
FINE	±0.05	±0.05	±0.1	±0.15	±0.2	±0.3	±0.5
MEDIUM	±0.1	±0.1	±0.2	±0.3	±0.5	±0.8	±1.2
COARSE	±0.2	±0.3	±0.5	±0.8	±1.2	±2	±3
VERY COARSE	-	±0.5	±1	±1.5	±2.5	±4	±6

Do not get quotas from the drawing do not bring modifications without authorization of technical office.  
According to the law we reserve the own of the present drawing with reproduction prohibition partial or total.

		Denomination <b>DIMENSIONAL DRAWING 1100x480</b>		Doc. status <b>Released</b>	
Material	Thickness	Weight	Lang	Scale	Form
-	-	<b>Kg 36.024</b>	<b>EN</b>	<b>1:4</b>	<b>A2</b>
Sheet <b>1/2</b>			Drawing N. <b>321015_715</b>		Rev <b>01</b>

Created by **Latini, Francesco**  
 Creation date **21-Apr-2017 10:04**  
 Modif.by **Latini, Francesco**  
 Doc.Type **ASSEM**  
 Approved by **Bellucci, Daniele**  
 Approval date **02-Oct-2017**



TOLERANCE CLASSES		GENERAL TOLERANCE LINEAR DIMENSION							Created by <b>Latini, Francesco</b>
ISO 2768-1		0.5-3	3-6	6-30	30-120	120-400	400-1000	1000-2000	
FINE	-	±0.05	±0.05	±0.1	±0.15	±0.2	±0.3	±0.5	Creation date <b>21-Apr-2017 10:04</b>
MEDIUM	X	±0.1	±0.1	±0.2	±0.3	±0.5	±0.8	±1.2	
COARSE	-	±0.2	±0.3	±0.5	±0.8	±1.2	±2	±3	Modif.by
VERY COARSE	-	-	±0.5	±1	±1.5	±2.5	±4	±6	

Do not get quotas from the drawing do not bring modifications without authorization of technical office.  
According to the law we reserve the own of the present drawing with reproduction prohibition partial or total.

Modification description		Doc.Type <b>ASSEM</b>
Denomination		Approved by <b>Bellucci, Daniele</b>
<b>DIMENSIONAL DRAWING 1100x480</b>		Approval date <b>02-Oct-2017</b>
Material	Thickness	Doc. status <b>Released</b>
-	-	Weight <b>Kg 36.024</b>
Lang <b>EN</b>	Scale <b>1:4</b>	Form <b>A2</b>
Sheet <b>2/2</b>		Drawing N. <b>321015_715</b>
		Rev <b>01</b>

