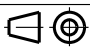
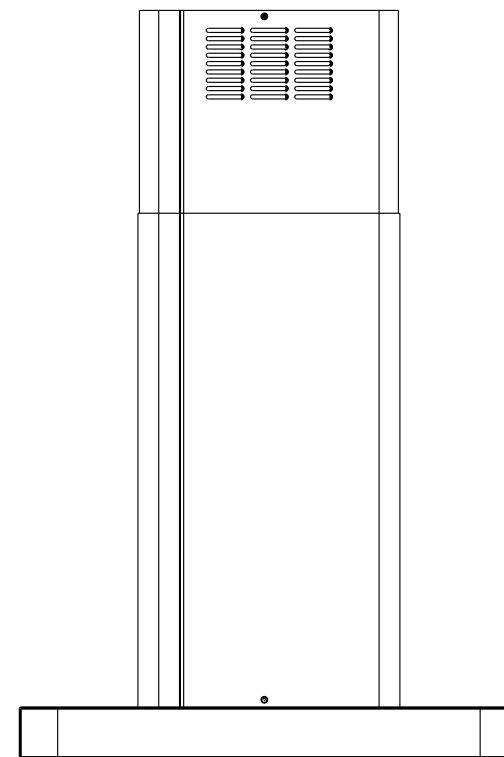
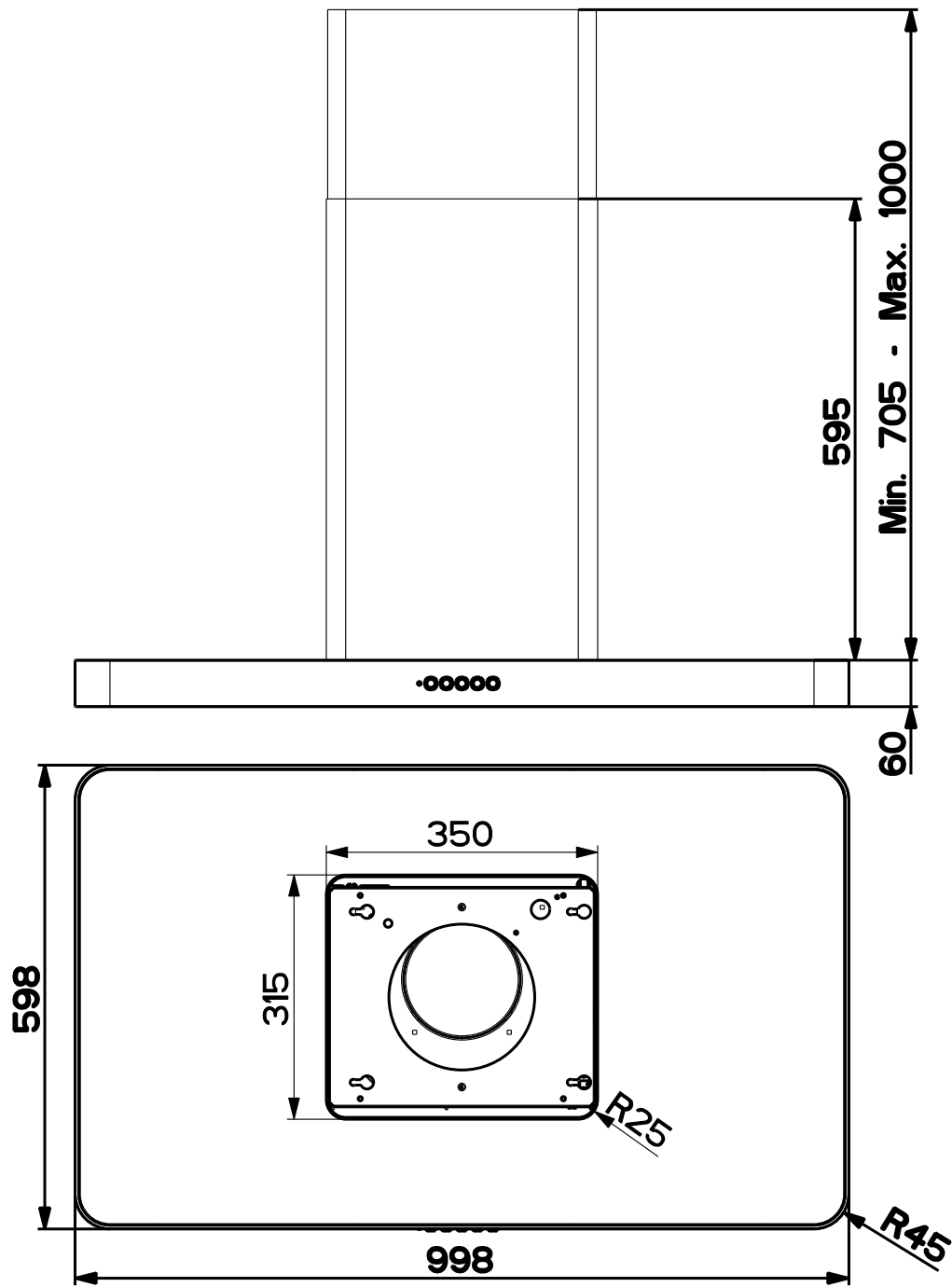



Created by Bellucci, Daniele	
Denomination DIMENSIONAL DRAWING	
Lang EN 	Sheet 1/2
Modif.by	
Approved by Bellucci, Daniele	
Approval date 28-Oct-2016	
Doc. status Released	
Drawing N. 24B_712	Rev 01



Created by Bellucci, Daniele	
Denomination DIMENSIONAL DRAWING	
Lang EN 	Sheet 2/2
Modif.by	
Approved by Bellucci, Daniele	
Approval date 28-Oct-2016	
Doc. status Released	
Drawing N. 24B_712	Rev 01